

540ASL - Linear LED Channel for Shop Lights

The **540ASL** is a **Linear LED Channel** with **Polycarbonate Lens Cover** and Clear Anodized Aluminum Body with **an internal housing space for LED Drivers**.

This fixture is designed as a **Shop Light Fixture** to replace existing fluorescent light fixtures or neon tubes.

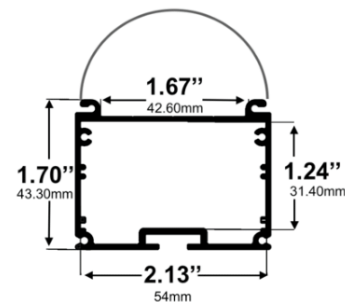
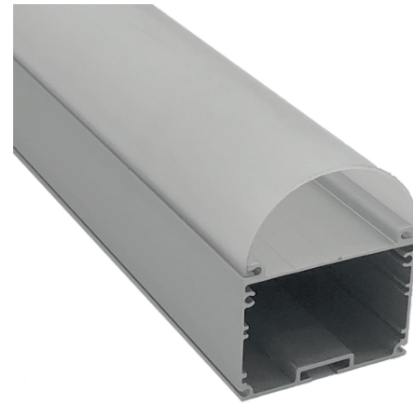
Thanks to its **Diffuser Design** and **End Caps Design with Gasket and Cord Grips**, it offers a Water-Resistant Linear LED Light Fixture.

It's mounted with its **easy-to-install Surface Mount Clips**. It can also be used as a Suspended LED Channel. ([Suspension Kit](#) not included in box. Must be ordered separately)

Type:.....**LED Channel**
 Material:...**Aluminum 6063-T5**
 Surface:.....**Clear Anodized**
 Height w/Lens: **66.00mm / 2.60"**
 Height:.....**43.30mm / 1.70"**
 Width:.....**54.00mm / 2.13"**

Length Availability

4ft (Actual Size 47") / 1.20m
 8ft (Actual Size 94") / 2.40m
 10ft (Actual Size 118") / 3.00m
 Custom Lengths **up to 3m / 10ft**

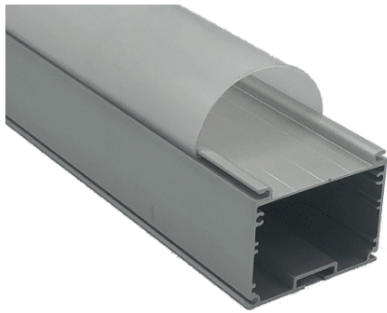


Accessories on the next page



Accessories

Arc Diffuser Cover Lens



Frosted Arc Diffuser
D33



Parking Lots

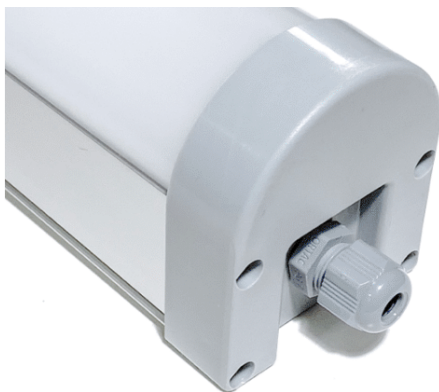


Machine Shops



Hallways


End Caps



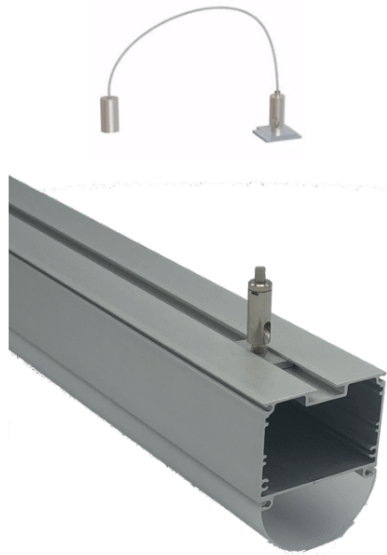
End Cap with Gasket
(w/Cord Grip)



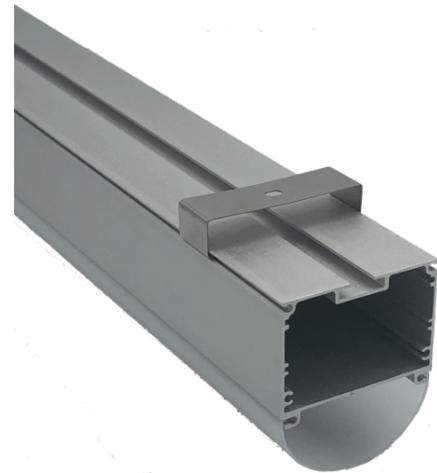
End Cap with Gasket
(w/out Cord Grip)

Mounting on the next page 

Mounting



Suspension Kit
(Includes 2 steel wires of 1.5m/4.92ft and connection parts)



Flat Surface Mounting Bracket

